

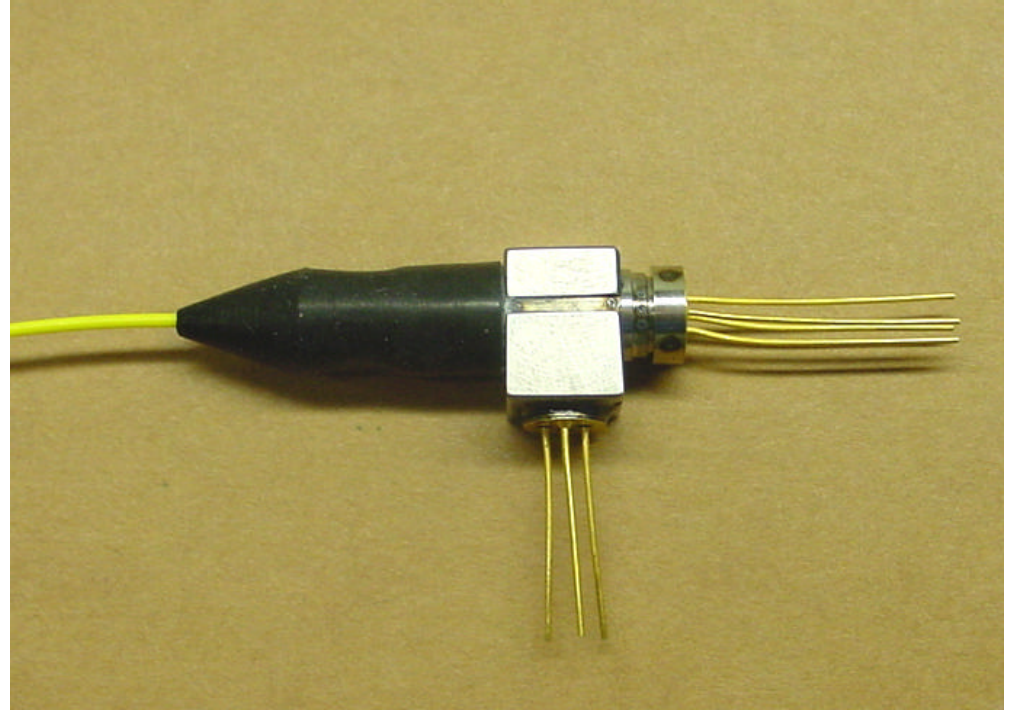
Applications

- Passive Optical Networks
- Full Duplex Communications
- WDM Bi-Directional transmission over a single fiber
- CATV
- Digital or Analog Operation

Features

- Output Power up to 2 mW CW
- -40 to +85° Operating Temperature
- 1310 or 1550 nm FP MQW Laser Diode
- Low Noise 830MHz PIN TIA Receiver
- Compact, rugged construction
- Low Threshold Current Lasers
- Low Power Consumption
- Available with optical connectors
- Replaces Discreet Lasers and Optical Couplers
- Class 1 Eye Safe Device

PD-LD Inc. is now offering its next generation of WDM style BiDirectional transmitter and receiver modules operating in the 1310 and 1550nm optical windows. These devices are designed to simultaneously transmit and receive over a single optical fiber at frequencies from 10 to 830 MHz. Dual wavelength bidirectional modules replace the need for a single mode fiber coupled laser diode, a fiber coupled InGaAs PIN photodiode, a discreet fiber optic WDM and a second stage optical isolator. The BiDirectional Modules combine all of these optical functions and relieve the user of having to fusion splice several discreet units together and then squeeze them onto their PCB.



These small, compact modules require minimal board real estate and when used in pairs deliver full duplex operation of a single 9/125um optical fiber with crosstalk of <-47dB.

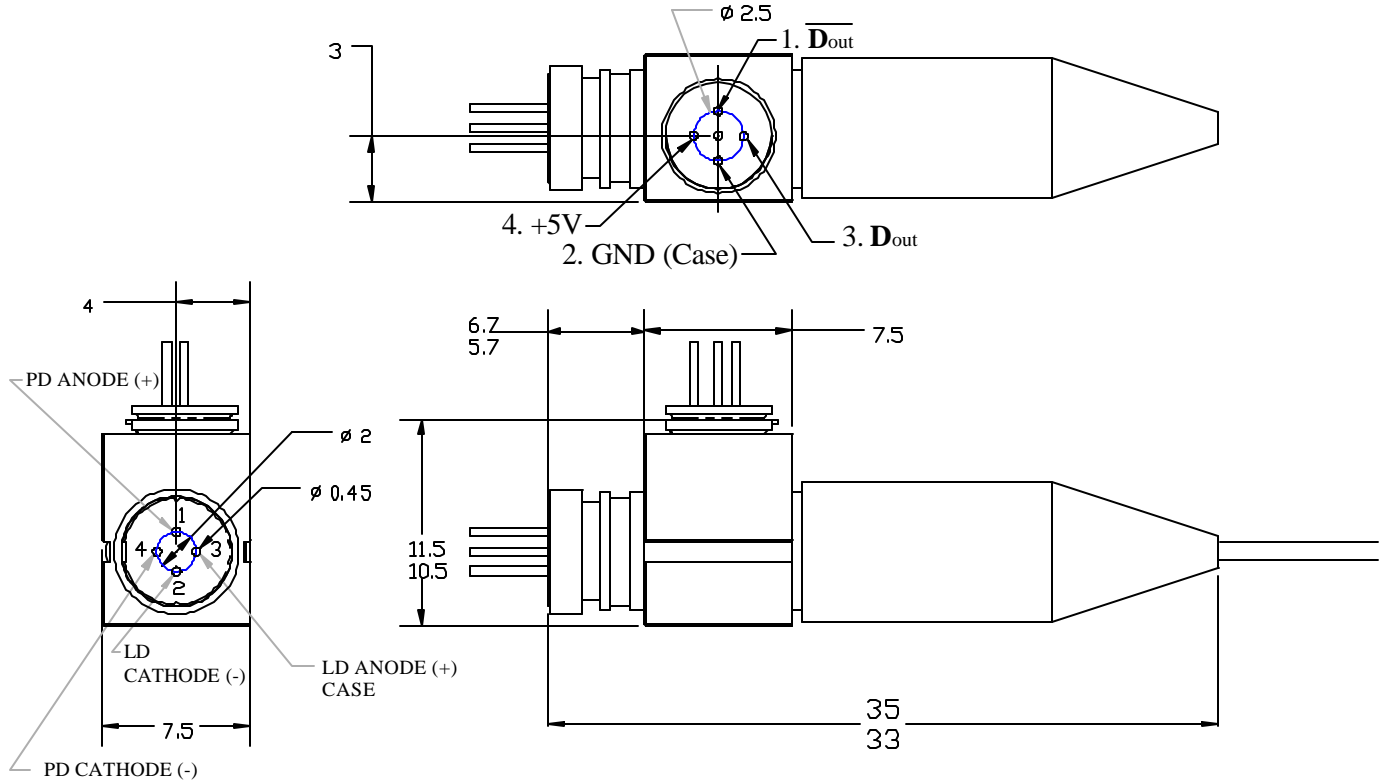
The PD-LD product incorporates low threshold current, high differential quantum efficiency MQW(Multiple Quantum Well) FP semiconductor lasers whose typical total operating currents are less than 30mA. Customers may also request DFB lasers. The receiver section offers an 830MHz bandwidth PIN TIA component that is ideal for digital operation at 1.25GB/s. These receivers deliver typically -23dBm optical sensitivity at a BER of 10^{-10} at OC-24/Gigabit Ethernet operation. AGC allows for high optical input power.

PD-LD's BiDirectional WDM modules are built to meet the demanding requirements for optical networking. See PD-LD's other FSAN Bidirectional Module offerings for devices optimized for 155MB/s and 622MB/s.

These modules comply with the Class 1 Eye Safety standards as outlined by CDRH1040.10&11, as well as IEC825-1 and -2.

The PD-LD BiDirectional modules are assembled using laser welding processes. This technique guarantees a semiconductor to optical fiber interface that remains stable over mechanical and environmental extremes. The optical semiconductor die are mounted within hermetically sealed TO can subassemblies making them impervious to contaminants and moisture.

WDM BiDirectional modules are built with 1 meter long 9/125/900 um SMF28 fiber optic pigtails. These fibers may be terminated with most standard fiber optic connectors including FC, SC, ST and LC.



**Absolute
Maximum Ratings
Parameters**

Module	Symbol	Rating	Units
Operating Temp	T_{OP}	-40 to 85	$^{\circ}C$
Storage Temp	T_{STG}	-40 to 85	$^{\circ}C$
Soldering Temp	T_{SLD}	250	$^{\circ}C$
Laser Diode			
Forward Current	$I_{F(LD)}$	100	mA
Reverse Voltage	$V_{R(LD)}$	2	V
Monitor Diode			
Forward Current	$I_{F(MD)}$	2	mA
Reverse Voltage	$V_{R(MD)}$	20	V
PIN TIA			
Forward Current	$I_{F(PD)}$	2	mA
Reverse Voltage	$V_{R(PD)}$	6	V
Max Optical Input Power	P	1.0	mW

BiDirectional Module Characteristics and Parameters

	Symbol	MIN.	TYP.	MAX	Units	Test Condition
Laser Diode						
Power Low	P _O	0.5	0.9		mW	CW
Power Medium	P _O	1.0	1.5		mW	CW
Power High	P _O	2.0	2.5		mW	CW
Threshold Current 1310nm	I _{TH}	-	5	15	mA	CW
Threshold Current 1550nm	I _{TH}	-	10	20	mA	CW
Operating Current	I _{OP}	-	20	35	mA	I _F = I _{OP}
Operating Voltage	V _{OP}	-	1.1	1.5	V	I _F = I _{OP}
Peak Wavelength 1310nm	λ	1290	1310	1330	nm	25°C
Peak Wavelength 1550nm	λ	1520	1550	1580	nm	25°C
Spectral Width	Δλ	-	1	2	nm	RMS
Temp. Coefficient		-	-	<0.5	nm/°C	-40 to 85°C
Rise/Fall Time	t _r , t _f	-	0.3	0.7	nsec	10~90%
Monitor Diode						
Output	I _{MD}	0.1	0.5		mA	I _F = I _{OP} , P _O
Dark Current	I _{D(MD)}	-	0.01	0.1	μA	V _{R(MD)} = 10V
Capacitance	C _(MD)	-	10	20	pF	V _{R(MD)} = 10V, f = 1MHz
Tracking Error		-1		+1	dB	-40 to 85°C
1.25GB/s PIN TIA						
Supply Voltage		4.5	5.0	6	V	DC
Spectral Sensitivity	S	-22	-24	-	dBm	BER=10exp -10
Optical Saturation	P _{max}	-3	0	-	dBm	Average
Output Resistance	R _{out}	-	50	65	Ω	Differential
Differential Output Voltage	V _d	-	-	0.5	V	DC
Gain	G	0.2	-	24	V/mW	Gain @ 10MB/s
Module						
Bandwidth	f _C			830MHz		
Optical Crosstalk	X _{TALK}			-47	dB	

Ordering Information

